

**Warewashing**  
**Small Double Skin Glasswasher with**  
**Drain Pump, Detergent Dispenser and**  
**Cold Rinse, 60B/H 3 Cycles wi**

ITEM # \_\_\_\_\_

MODEL # \_\_\_\_\_

NAME # \_\_\_\_\_

SIS # \_\_\_\_\_

AIA # \_\_\_\_\_


**402319 (ESICGBMS)**

Glasswasher (small) with drain pump, detergent dispenser and cold rinse, multi-rack support, rinse booster pump, 3 cycles, 60b/h - Australia

### Short Form Specification

**Item No.** \_\_\_\_\_

Unit should be Glasswasher type for rack dimension of 400\*400mm. 304 AISI stainless steel front panel, wash tank, tank filter and wash and rinse arms. Double skinned door and cabinet. Upper and lower rotary washing arms and rinsing arms. Separate washing and rinsing circuits. Built-in 5 litre boiler, washing temperature 55/65°C and hot rinse temperature 80/90°C. 60/120/66 seconds cycle, the third cycle includes cold rinse. Rinse aid, detergent dispenser and drain pumps. Hourly capacity: 60 baskets. Provided with a double rack support allowing the use of 400x400 mm or 14"x14" (365x365 mm) racks.

### Main Features

- Incorporated Soft Start feature to offer additional protection to more delicate items.
- 60/120/66 seconds cycle, the third cycle includes cold rinse.
- Built-in pressure boiler designed to raise incoming water to a guaranteed minimum temperature of 82°C for sanitizing rinse. No external boiler is required.
- Washing system endowed with rotating washing arms from both top and bottom, high powered wash pump and large capacity wash tank guarantee professional washing.
- Maximum capacity of 60 racks per hour.
- New electronic control panel for easy setup of the working parameters and self diagnosis.
- Easy service access to main components without moving the unit.
- Pre-rinse/cold rinse cycle provides double function: either as pre-rinse, used before starting the cycle to remove the heaviest residues from the wares, or as cold rinse at the end of the cycle to cool down beer and wine glasses.
- Low noise level.
- Equipped with drain pump for easy and quick installation without opening the machine.
- Adjustable feet for full access underneath the machine for cleaning.
- Provided with a double rack support allowing the use of 400x400 mm or 14"x14" (365x365 mm) racks.

### Construction

- Large tank filter collects the soil to keep the wash water clean for a longer time and have better washing performance.
- Internal elements (arms and filter) easily extractable.
- Wash/rinse arms and nozzles in stainless steel.
- Completely closed on the back by a cover plate.
- 304 AISI stainless steel front panel, load bearing frame, wash tank, tank filter, wash and rinse arms.
- Unit to feature smooth surfaces to facilitate cleaning.
- Unit to feature rinse aid and detergent dispenser pumps.
- Double skin door construction preserves heat inside the tank to lower energy consumption and the noise. Counter-balance mechanism minimizes impact when opening and closing.
- Deep drawn pressed wash tank with fully rounded corners, sloped towards the drain to

**APPROVAL:** \_\_\_\_\_

prevent dirt buildup, provides fast drainage in just a few minutes. With no welding points the pressed tank offers a guaranteed water tight solution.

### Sustainability



- Finished in top quality materials to ensure durability.

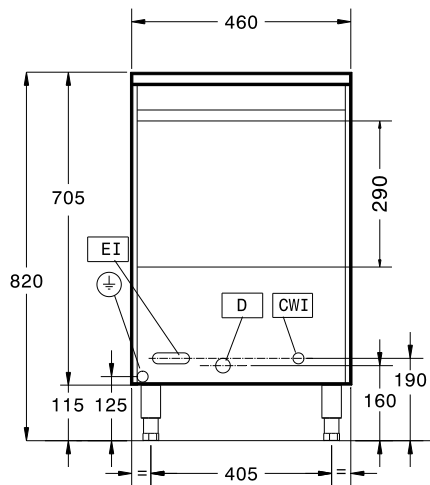
### Included Accessories

- 1 of Stainless steel tank filter PNC 864003
- 1 of Square basket for glasses 400x400x150mm PNC 864470

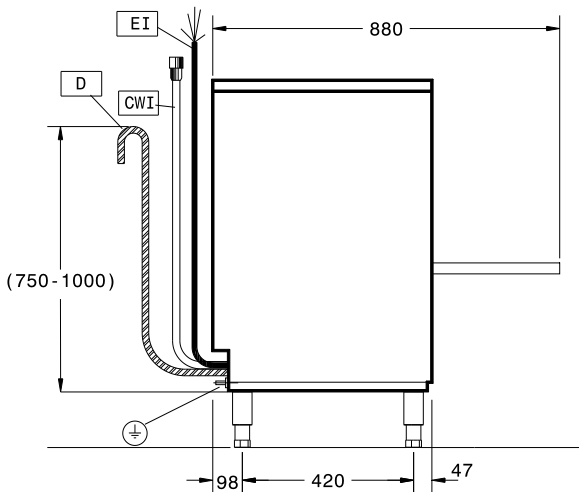
### Optional Accessories

- 12lt external manual water softener PNC 860412
- 8lt external automatic water softener PNC 860413
- 20lt external manual water softener PNC 860430
- Filter for partial demineralization PNC 864017
- Kit to measure total and partial water hardness PNC 864050
- Rinse booster pump kit for single tank pressure dishwasher PNC 864051
- Yellow cutlery container PNC 864242
- Pressure reducer for single tank dishwasher PNC 864461
- Kit 4 plastic boxes for cutlery - yellow PNC 865574
- Cover rack for small and light items (500x500 baskets) PNC 867016
- Insert for 12 saucers, 290X90x75mm PNC 867048
- Basket for 16 plates diam.190 mm, 8 plates diam. 240 mm PNC 867052
- Basket for glasses (h 100 mm) PNC 867053
- Basket for glasses (h 200 mm) PNC 867054
- Basket for glasses and saucers/ cutlery inserts PNC 867055
- Basket for glasses with angled base PNC 867056
- Round basket kit with square frame PNC 867057
- Insert for "flute" glasses PNC 867058
- Insert for 14 saucers PNC 867060
- Inclined insert for cups PNC 867061
- Insert for 7 plates d. 240mm PNC 867062

Front

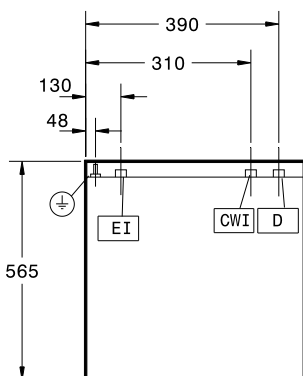


Side



- CWII = Cold Water inlet 1 (cleaning)      XR = Rinse aid connection  
 D = Drain  
 EI = Electrical inlet (power)  
 EO = Electrical Outlet  
 WI = Water inlet  
 XD = Detergent connection

Top



### Electric

**Supply voltage:**  
 402319 (ESICGBMS)      220-240 V/1 ph/50 Hz  
**Default Installed Power:**      3.3 kW  
**Tank heating elements:**      0.8 kW

### Water:

**Pressure, bar min/max:**      1.8-3 bar  
**Water supply temperature\*:**      10-65 °C  
**Inlet Water supply pressure:**      26 - 44 psi (1.8 - 3 bar)  
**Washing tank capacity (lt):**      6  
**Boiler Capacity (lt):**      5  
**Incoming water line size:**      G 3/4"  
**Hot rinse cycle duration (sec.):**      16  
**Min hot rinse water consumption (lt/cycle)\*\*:**      2.3

### Key Information:

**Washing cycle temperature:**      55-65 °C  
**Hot rinse cycle temperature:**      80-90 °C  
**N° of working cycles:**      3 (60/120/66)  
**Cell dimensions - width:**      400 mm  
**Cell dimensions - depth:**      400 mm  
**Cell dimensions - height:**      290 mm  
**External dimensions, Width:**      460 mm  
**External dimensions, Depth:**      565 mm  
**External dimensions, Height:**      820 mm  
**Net weight:**      37 kg  
**Shipping weight:**      48 kg  
**Shipping height:**      900 mm  
**Shipping width:**      620 mm  
**Shipping depth:**      520 mm  
**Shipping volume:**      0.29 m<sup>3</sup>

The claimed noise level is measured according to EN 60335-2-58 (Annex ZAA) / ISO 11204.

**Productivity, baskets/h:**      60  
**Productivity, dishes/h:**      0  
**Working cycle, sec:**      60/120/66

The claimed capacity is measured when the unit is connected to hot inlet water of 65°C; if the inlet water is cold, the cycle time could be longer.

### Sustainability

**Noise level:**      61 dBA